

# AL9170

70" Adult Living Acrylic Shower - 1 pc.

# AL9173

70" Adult Living Acrylic Shower - 3 PC. RENOVATION FRIENDLY



Measurements h 88" x w 70" x d 36" (One piece unit)  
h 88" x w 70" x d 37-1/2" (Three piece unit)  
Standard threshold height: 5-3/4"

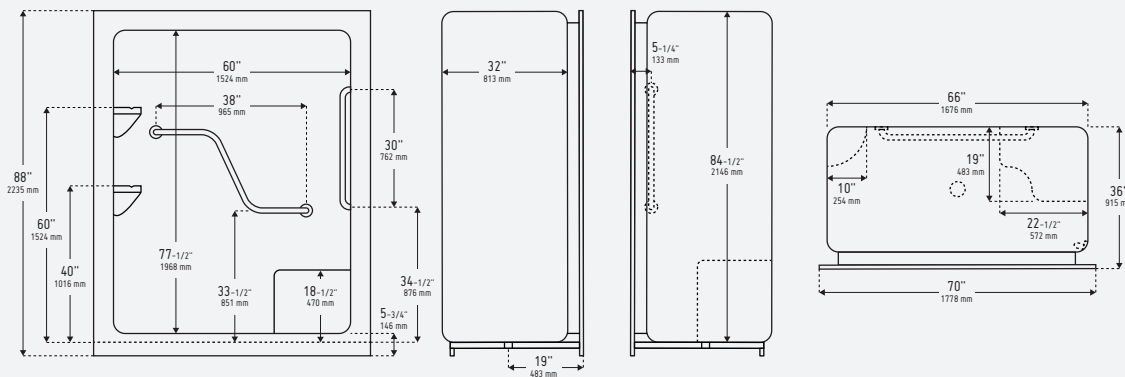
Weight 225 lb / 102 kg  
(Weight may vary by options and configuration of unit)

Drain Location Centre drain

## PRODUCT SPECIFICATIONS

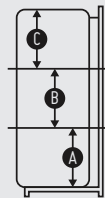
- High quality, non-porous acrylic surface is easy to clean, germ and residue free
- Designed for aging in place applications
- Factory Installed smooth finish, powder coated white stainless steel grab bars (2) for safety and ease of shower entry and exit
- Available with moulded left seat, right seat, both left and right seat or no seat
- Front ledge with drip lip
- Reinforced shower base provides added strength to unit
- Quality 2"/51 mm ABS drain with stainless steel strainer
- Self draining soap dishes/shelves
- Textured bottom
- Can be customized with a wide range of accessories and options

Product image and technical drawing may be shown with optional equipment.

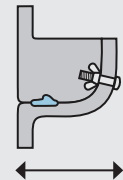


One piece dimensions shown. For two and three piece shower and tubshower bathware units allow an extra 1-1/2" to the depth of the unit for the joint assembly. NO SEAT the shower comes with the self draining soap dishes/shelves in both corners of the shower (unless requested to be removed). PHENOLIC SEAT the shower comes with the self draining soap dishes/shelves in both corners of the shower (unless requested to be removed). MOULDED SEAT the self draining soap dishes/shelves are eliminated on the moulded seat side of the shower (unless requested to remain).

Two and three piece bathware sections



A : 26-3/4" 679 mm  
B : 48-1/2" 1232 mm  
C : 12-3/4" 324 mm



Compliance Certifications meet or exceed the following specifications:

- CAN/ULC - S102.2 - M88 Flame Spread FRP laminate rating
- B45.5-11/IAPMO Z124-2011



This retail catalogue is for general information purposes only and may contain optional equipment and/or configurations. Please consult your wholesaler, sales associate or Longevity Acrylics Inc. to obtain current dimensions, specifications, guidelines, options and prices which are available through Longevity Acrylics Inc current Price Book. Dimensions of fixtures are nominal and may vary +/- 1/2" (12 mm) - Optional equipment, specifications and measurements are subject to change at manufacturers discretion.

# AL9170

70" Adult Living Acrylic Shower - 1 pc.

Model	Description
AL9170 LS/RS/NS	<ul style="list-style-type: none"> <li>- Description: 70" acrylic shower</li> <li>- Standard Colour: white</li> <li>- Features: 1 x "S"-shaped powder coated stainless steel grab bar, 1 x 30" vertical powder coated stainless steel grab bar, white, smooth</li> <li>- Threshold Height: 5-3/4"</li> <li>- Assembly: 1 pc. construction</li> <li>- Drain Location: centre drain</li> <li>- Moulded Seat: no seat, left seat or right seat; both left &amp; right seat</li> </ul>

# AL9173

70" Adult Living Acrylic Shower - 3 PC. RENOVATION FRIENDLY

Model	Description - Renovation Friendly
AL9173 LS/RS/NS	<ul style="list-style-type: none"> <li>- Description: 70" acrylic shower</li> <li>- Standard Colour: white</li> <li>- Features: 1 x "S"-shaped powder coated stainless steel grab bar, 1 x 30" vertical powder coated stainless steel grab bar, white, smooth</li> <li>- Threshold Height: 5-3/4"</li> <li>- Assembly: 3 pc. construction</li> <li>- Drain Location: centre drain</li> <li>- Moulded Seat: no seat, left seat or right seat; both left &amp; right seat</li> </ul>

←70→  
INCH WIDE



NO SEAT the shower comes with the self draining soap dishes/shelves in both corners of the shower (unless requested to be removed).  
 PHENOLIC SEAT the shower comes with the self draining soap dishes/shelves in both corners of the shower (unless requested to be removed).  
 MOULDED SEAT the self draining soap dishes/shelves are eliminated on the moulded seat side of the shower (unless requested to remain).

## OPTIONS (Model#-"X" denotes that the model has options added + add option model code)

Model	Description
<b>COLOURS</b>	
Standard	Bone - Biscuit
<b>LIGHTS</b>	
DL-4LED-WH	4" LED Round Dome light factory installed, white trim
DL-4LED-BK	4" LED Round Dome light factory installed, black trim
DL-4LED-CH	4" LED Round Dome light factory installed, chrome trim
<b>CURTAIN RODS</b>	
SCR	Stainless steel shower curtain rod
<b>SEATS</b>	
62-PA1452401	24" x 14-1/2" Adult Fold Down Seat RECTANGLE (White Padded)
62-PH1452401	24" x 14-1/2" Adult Fold Down Seat RECTANGLE (White Phenolic)
62-PH1452415	24" x 14-1/2" Adult Fold Down Seat RECTANGLE (Woodgrain Phenolic)
<b>GRAB BARS</b>	
DB-18-PCW	Dependa-Bar™ 18"/46cm, White factory installed
24SWG B	24" stainless steel white powder coated grab bar factory installed
30SWG B	30" stainless steel white powder coated grab bar factory installed
Colour Match	Adult Living Colour Match Bars quantity of 2 (Available in Bone & Biscuit only)
<b>SHOWER DRAINS</b>	
SERENITY DRAIN-BK	Round Serenity Brass Shower Drain Infinity Style, black
SERENITY DRAIN-CH	Round Serenity Brass Shower Drain Infinity Style, chrome
SYMPHONY DRAIN-BK	Round Symphony Brass Shower Drain Grate Style with removal hair trap, black
SYMPHONY DRAIN-CH	Round Symphony Brass Shower Drain Grate Style with removal hair trap, chrome
PVC-FR DRAIN	2" PVC fire rated shower drain
<b>SPA EXPERIENCES</b>	
VIBEPK-A	Bluetooth sound system for bathtub/shower, speakers (2), Vibe control box, chrome keypad
VIBEPK-B	Bluetooth sound system for bathtub/shower, speakers (2), Vibe control box, chrome keypad, LED chromatherapy lights (2)
VIBEPK-C	Bluetooth sound system for bathtub/shower, speakers (2), Vibe control box, remote control
VIBEPK-D	Bluetooth sound system for bathtub/shower, speakers (2), Vibe control box, remote control, LED chromatherapy lights (2)
<b>DOORS</b>	
SS-60SL-COR-C/C	2 panel sliding door - Chrome/Clear - Frameless glass panels
SS-60SL-GEM-C/C	2 panel Inline Bypass Plus - Chrome/Clear - 10mm frameless glass panels